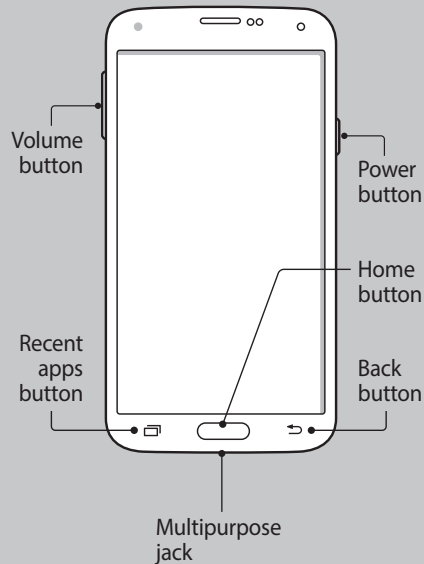



## Device layout

To turn on the device, press and hold the Power button for a few seconds.



**Ensure that the back cover and the multipurpose jack cover are closed tightly to prevent water and dust entering the device. Open or loose covers may allow water and dust to enter the device and cause damage.**

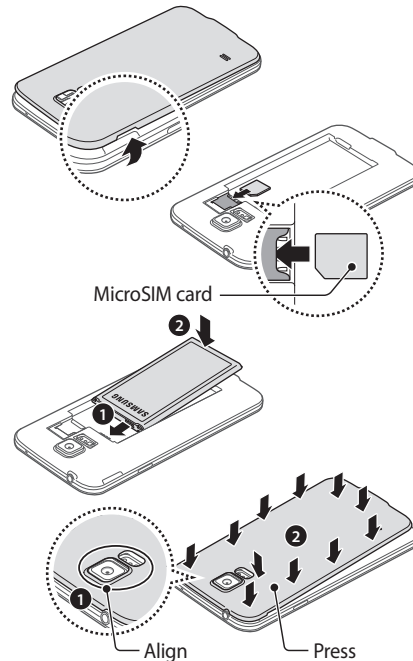
## Accessing the user manual

On your device, open the web browser, tap , and then tap the bookmark for the user manual.

You can also find the user manual at [www.samsung.com](http://www.samsung.com).

- The user manual may not be available depending on the web browser or service provider.
- You may incur additional charges for accessing the Internet.

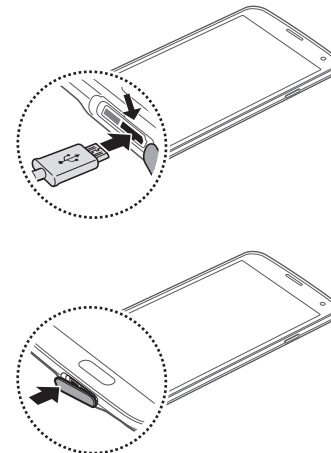
## Installing the SIM or USIM card and battery



- Ensure that the back cover is closed tightly.
- Use only Samsung-approved back covers and accessories with the device.

## Charging the battery

Before using the device for the first time you must charge the battery.



- Connecting the charger improperly may cause serious damage to the device. Any damage caused by misuse is not covered by the warranty.
- The charger should remain close to the electric socket and easily accessible while charging.
- After charging the device, ensure that the multipurpose jack cover is closed tightly.

## Specific Absorption Rate (SAR) certification information

To view more information about the device's SAR certification, tap **Apps** → **Settings** → **About device** → **Legal information** → **Safety information**.

THIS DEVICE MEETS INTERNATIONAL GUIDELINES FOR EXPOSURE TO RADIO WAVES



[www.sar-tick.com](http://www.sar-tick.com)

Your mobile is designed not to exceed the limits for exposure to radio waves recommended by international guidelines.

The guidelines were developed by an independent scientific

organisation (ICNIRP) and include a substantial safety margin designed to assure the safety of all persons, regardless of age and health.

The radio wave exposure guidelines use a unit of measurement known as the Specific Absorption Rate, or SAR. The SAR limit for mobile devices is 2.0 W/kg. The highest SAR values under the ICNIRP guidelines for this device model are:

**Maximum SAR for this model and conditions under which it was recorded**

|               |            |
|---------------|------------|
| Head SAR      | 0.562 W/kg |
| Body-worn SAR | 0.406 W/kg |

Body-worn SAR testing has been carried out at a separation distance of 1.5 cm. To meet RF exposure guidelines during body-worn operation, the device should be positioned at least this distance away from the body.

For more information, visit [www.samsung.com/sar](http://www.samsung.com/sar) and search for your device with the model number.

## Declaration of Conformity

Samsung Electronics declares that this device complies with the essential requirements and relevant provisions of Directive 1999/5/EC.

Go to [www.samsung.com/mobile\\_doc](http://www.samsung.com/mobile_doc) to view the Declaration of Conformity.

CE 0168



## Warning

- Use manufacturer-approved batteries, chargers, accessories, and supplies.
- Do not expose the device to physical impact or damage.
- Prevent the multipurpose jack and battery terminals from contacting conductive elements, such as metal or liquids.
- Do not store your device in very hot or very cold areas. It is recommended to use your device at temperatures from 5 °C to 35 °C.
- Do not store your device near or in heaters, microwaves, cooking equipment, or high pressure containers.
- Do not touch the charger or the device with wet hands while the device is charging.
- Do not use your device outdoor during a thunderstorm.
- Turn off the device in potentially explosive environments.
- Comply with all safety warnings and regulations regarding mobile device usage while operating a vehicle.

## Safety information

To prevent injury, fire, or explosion, read and adhere to all safety information before using the device.

To view the full safety information, tap **Apps** → **Settings** → **About device** → **Legal information** → **Safety information**.



To prevent possible hearing damage when using a headset, do not listen to sound at high volume for long periods.

Your device uses a non-harmonised frequency and is intended for use in all European countries. The WLAN can be operated in the EU without restriction indoors, but cannot be operated outdoors.

## Maintaining water and dust resistance

The device may be damaged if water or dust enters the device. Follow these tips carefully to prevent damage to the device and to maintain the water and dust resistant performance of the device.

- Do not immerse the device in water deeper than 1 m and keep it submerged for more than 30 minutes.
- Do not expose the device to **water moving with force**, such as ocean waves or waterfalls.

- If the device is cracked, broken, or becomes very hot, stop using the device immediately and take it to a Samsung Service Centre.
- Do not allow children or animals to chew or suck the device.
- Do not poke eyes, ears, or other body parts with the device or insert the device into the mouth.
- If the device has a camera flash or light, do not use it close to the eyes of people or animals.

- Do not open the device's covers when the device is in water or in very humid places, such as swimming pools or bathrooms.
- Do not open the back cover using wet hands or when the device is wet.
- **The rubber seal fitted to the back cover** is an important component of the device. Take care when opening and closing the back cover to avoid damaging the rubber seal. Also, ensure that the rubber seal is free from debris, such as sand or dust to prevent damage to the device.
- Do not expose the device to **salt water, ionised water, or soapy water**.
- The back and multipurpose jack covers may be loosened **if the device is dropped or receives an impact**. Ensure that all the covers are properly aligned and tightly closed.
- **If the device has been immersed in water or the microphone or the speaker is wet**, sound may not be heard clearly during a call. Ensure that the microphone or the speaker is clean and dry by wiping it with a dry cloth.
- If the device gets wet, dry it thoroughly with a clean, soft cloth.
- The water-resistant design of the device causes it to vibrate slightly in certain conditions. Vibrations in these conditions, such as when the volume level is high are normal and do not affect the device's performance.
- The touch screen and other features may not work properly **if the device is used in water or in other liquids**.

Your device has been tested in a controlled environment and certified to be water and dust resistant in specific situations (meets requirements of classification IP67 as described by the international standard IEC 60529 - Degrees of Protection provided by Enclosures [IP Code]; test conditions: 15 - 35 °C, 86 - 106 kPa, 1 meter, 30 minutes). Despite this classification, your device is not impervious to water damage in any situation.

## Correct disposal

To view more information about device and battery disposal, tap **Apps** → **Settings** → **About device** → **Legal information** → **Safety information**.



This marking on the product, accessories or literature indicates that the product and its electronic accessories (e.g. charger, headset, USB cable) should not be disposed of with other household waste.



This marking on the battery, manual or packaging indicates that the batteries in this product should not be disposed of with other household waste.

